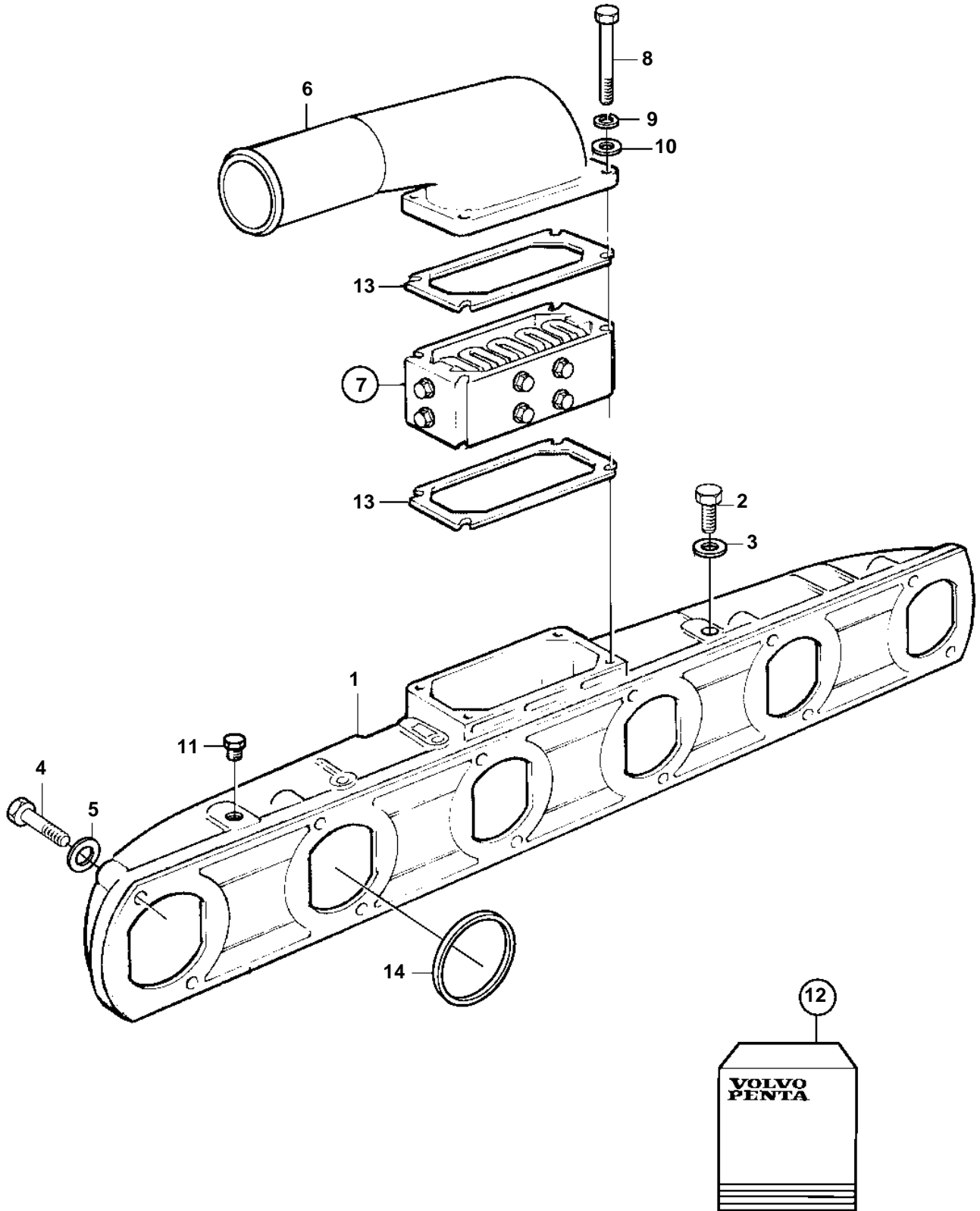


TAD1030GE, TAD1031GE, TAD1032GE



TAD1030GE, TAD1031GE, TAD1032GE

| REF | PART NO. | QTY | DESCRIPTION | SEE SEC. | NOTES |
|-----|----------|-----|--------------------------------|----------|----------|
| 1 | 8194465 | 1 | Inlet pipe | | |
| 2 | 940113 | 1 | Screw | | |
| 3 | 947620 | 1 | Gasket | | |
| 4 | 955526 | 6 | Screw | | L=51mm |
| | 955533 | 2 | Screw | | L=102mm |
| | 949886 | 2 | Screw | | L=108mm |
| 5 | 941907 | 12 | Spring washer | | |
| 6 | 865070 | 1 | Connection pipe | | |
| 7 | 471867 | 1 | Starter element | | |
| | | | | 608 | |
| 8 | 955532 | 4 | Screw | | |
| 9 | 941907 | 4 | Spring washer | | |
| 10 | 955894 | 4 | Washer | | |
| 11 | 479979 | 1 | Plug | | (191026) |
| 12 | 876781 | 1 | Gasket kit, induction manifold | | |
| 13 | 424618 | 2 | • Gasket | | |
| 14 | 469829 | 6 | • Rubber ring | | |